

CAN BE INSTALLED
WITH EXTENSION BASE

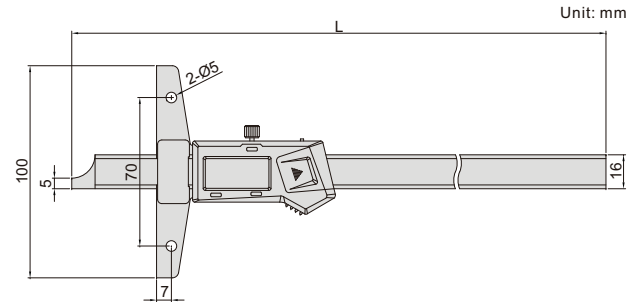
DATA
OUTPUT

DIGITAL DEPTH GAGE



- Resolution: 0.01mm/0.0005"
- Buttons: on/off, zero, mm/inch
- Automatic power off, move the digital unit to turn on power
- Meet DIN862
- Battery CR2032
- Data output
- Made of stainless steel
- Optional accessory: data output cable (code **7306-20**, **7302-SPC1A/SPC1B**, **7305-SPC2**), extension base (code **6141**)

1147-300



extension base (optional)



(mm)

Code	Range	Accuracy	L
1147-150	0-150mm/0-6"	±0.03mm	237
1147-200	0-200mm/0-8"	±0.03mm	287
1147-300	0-300mm/0-12"	±0.03mm	403